

FIXTURE SPECIFICATIONS

- WC-1 WATER CLOSET
WATER CLOSET, FLOOR SET, FLUSH VALVE (HANDICAP) "CRANE" #3H701 HYMONT, WATER ECONOMY, SIPHON JET, ELONGATED RIM, "SLOAN" #111 QUIET EXPOSED FLUSH VALVE AND SOLID PLASTIC OPEN FRONT SEAT
- UR-1 URINAL (ADA COMPLIANT)
URINAL (HANDICAP) WALL HUNG, FLUSH VALVE "CRANE" #7197 CROMWELL VITREOUS CHINA, WASHOUT ACTION, SUPPORTING HANGERS, "SLOAN" #8186-1 QUIET EXPOSED FLUSH VALVE. MOUNT RIM AT 17" A.F.F.)
- L-1 LAVATORY (ADA)
LAVATORY, COUNTERTOP (HANDICAP), "CRANE" #1-279-CHELSEA VITREOUS CHINA, "ZURN" #Z-81103-G-3M FAUCET WITH "SYMMONS" 5-110 MIXING VALVE, "MCGUIRE" #155-WC OFFSET DRAIN WITH STRAINER, 1/2" SUPPLIES WITH STOP, 1-1/2" C.P. "P" TRAP. MCGUIRE #PW-2000 TRAP WRAP KIT
- DF DRINKING FOUNTAIN
DRINKING FOUNTAIN (HANDICAP) "MDF" MOST DEPENDABLE FOUNTAIN #493-SS-SM, TYPE 304 STAINLESS STEEL, SCHEDULE 20 PIPE, HEAVY DUTY BUBBLER, STAINLESS STEEL PUSH BAR, FREEZE RESISTANT NYLON TUBING WITH PUSH BUTTON OPERATION.
- MS-1 MOP RECEPTORS
FIAT PRODUCTS INC. MODEL NO. TSB-3000 (STERN WILLIAMS OR CREATIVE INDUSTRIES) TERRAZZO MOP BASIN, 24" X 24" X 12" HIGH WITH 6" DROP FRONT, INTEGRAL STAINLESS STEEL DRAIN WITH REMOVABLE STAINLESS STEEL STRAINER, 3" DRAIN OUTLET.
CHICAGO FAUCETS MODEL NO. 782-VB (T&S BRASS) WALL MOUNTED SERVICE SINK FAUCET WITH NO. 633 HANDLES, VACUUM BREAKER, RIGID SPOUT WITH PAUL HOOK, WALL BRACKET, 3/4" HOSE THREAD AND INTEGRAL STOPS.
FIAT PRODUCTS INC. MODEL NO. E-77-M (STERN WILLIAMS) VINYL BUMPERGUARD.
FIAT PRODUCTS INC. MODEL NO. 832-M (CREATIVE INDUSTRIES OR STERN WILLIAMS) HOSE AND HOSE BRACKET WITH 30" LONG BY 5/8" DIAMETER FLEXIBLE CLOTH REINFORCED RUBBER HOSE WITH 3/4" COUPLING AT ONE END.
FIAT PRODUCTS INC. MODEL NO. MSG-2424 (CREATIVE INDUSTRIES OR STERN WILLIAMS) 2-PANEL HEAVY GAUGE STAINLESS STEEL WALL GUARD
FIAT PRODUCTS INC. MODEL NO. 889-CC (CREATIVE INDUSTRIES OR STERN WILLIAMS) STAINLESS MOP BRACKET.
- BS BAR SINK
SINK COUNTERTOP "ELKAY" #LRAD-2219 SINGLE COMPARTMENT 18 GAUGE, TYPE 302 SELF-RIMMING #LK-4100 SINGLE LEVER FAUCET, #LK-99 DRAIN OUTLET, 1/2" SUPPLIES WITH STOPS AND 1-1/2" C.P. "P" TRAP.

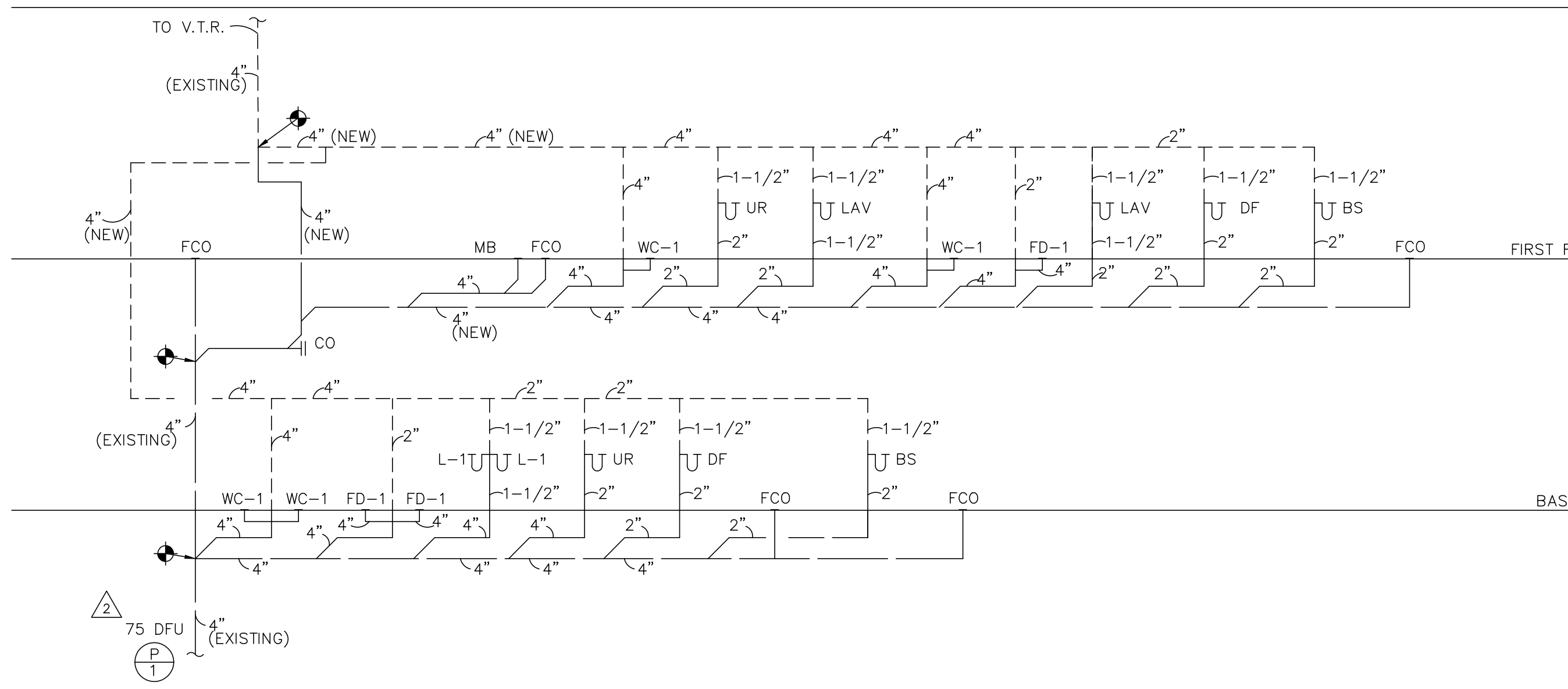


DIAGRAM - WASTE AND VENT PIPING

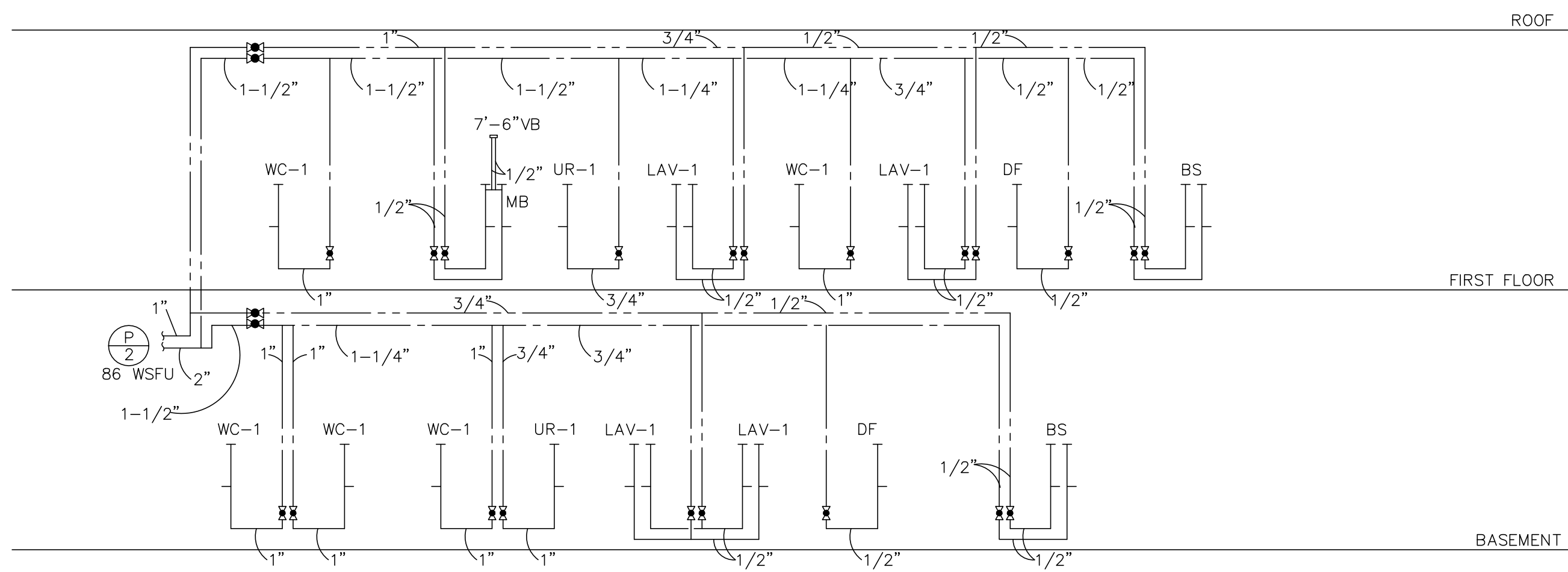
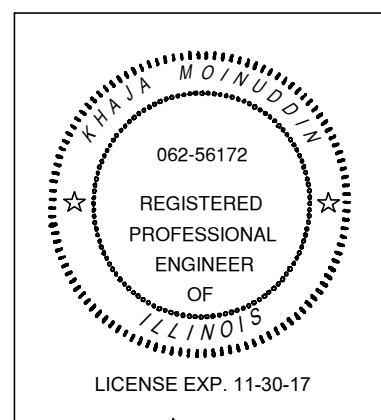


DIAGRAM - WATER DIAGRAM



INSPIRED TECHNOLOGY CONCEPTS
1433, TONNE ROAD, ELK GROVE, IL 60007
Tel # 847-770-5725

LEXTECT DESIGNS
912 HAYDEN DR.
MCHENRY, IL 60050
303-526-8158
LEXTECT@PEAK.COM

ARCHITECT/ENGINEER

LUCACCIONI OFFICE REMODEL
721 DUNDEE AVE., ELGIN, IL

PROJECT NUMBER:

14.009

DRAWN BY:

LP

CHECKED BY:

DATE: REVISION:

.
. .
. .
. .
. .

DATE: ISSUED AS:

2-26-15 PRELIMINARY DESIGN
9-16-15 PERMIT SUBMITTAL
10-28-15 PERMIT REVISION
10-10-16 PERMIT RE-SUBMITTAL
10-19-16 ISSUE FOR PRICING

SHEET TITLE:

PLUMBING NOTES DETAILS & SPECS

SHEET NUMBER:

P-02

All drawings and written material contained herein may not be duplicated, used or disclosed without the written consent of the architect(s).